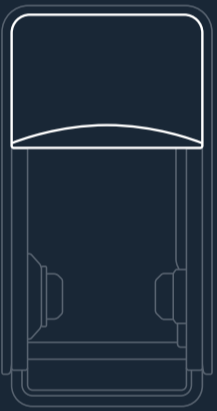




ICON™



Toilet Paper Dispensers

Engineered to provide you confidence, designed to elevate your space.





ICON COLLECTION

Toilet Paper Dispensers

Elevate your space with the latest advancement in reliable dispensing. Thoughtfully engineered with an eye on aesthetics and sustainability, the Kimberly-Clark Professional™ ICON™ standard roll toilet paper dispenser refines every interaction of the dispensing experience from server to end-user.

Available in two flexible size offerings, horizontal and vertical.



DISPENSER PRODUCT CODES

HORIZONTAL MOUNT

-  Black Mosaic (58722)
-  Ebony Woodgrain (58732)
-  Silver Mosaic (53698)
-  Cherry Blossom (58742)
-  White Mosaic (58712)
-  Warm Marble (58752)

VERTICAL MOUNT

-  Black Mosaic (58721)
-  Ebony Woodgrain (58751)
-  Silver Mosaic (53696)
-  Cherry Blossom (58731)
-  White Mosaic (58711)
-  Warm Marble (58741)



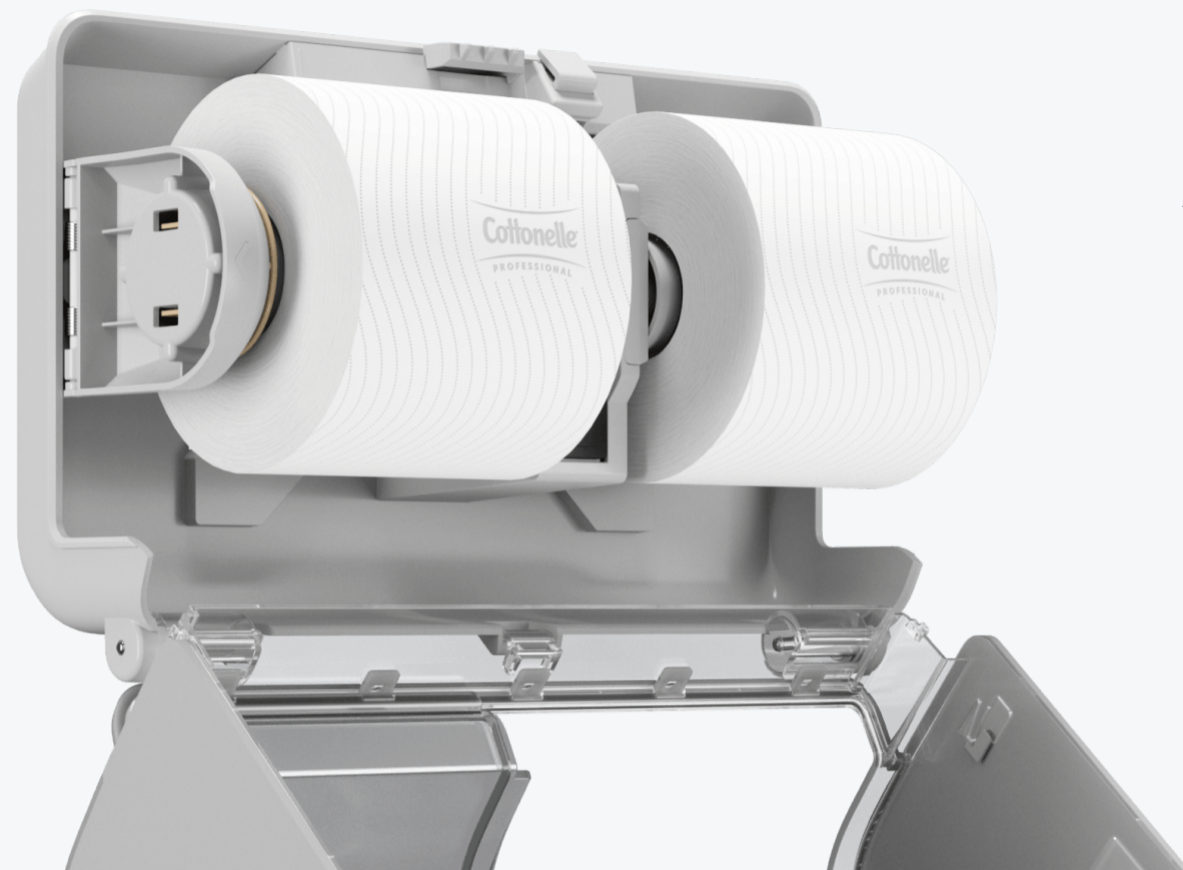
PRODUCT FEATURES

-  Sleek and stylish yet suited for high-traffic restrooms with variable toilet paper roll options
-  Simplified installation process with custom engineered mounting brackets, a built-in level and clip-on mounting
-  Engineered with increased accessibility for a smooth, controlled opening experience that makes refilling a snap

ICON™ | Kimberly-Clark
PROFESSIONAL™

It's time to add style to hygiene.





ICON™ COLLECTION

Toilet Paper

To learn more about bundles, please contact your Kimberly-Clark Professional Sales Representative or visit www.KCProfessional.com



- ✓ ECOLOGO® Certified for reduced environmental impact
- ✓ FSC® Certified
- ✓ Meets EPA Guidelines, minimum post-consumer waste content: bathroom tissue 20%

| STANDARD ✓ ○ ○ | PLUS ✓ ✓ ○ | PREMIUM ✓ ✓ ✓ |
|---|---|---|
| <div data-bbox="266 1393 519 1622"></div> <div data-bbox="609 1373 722 1453"></div> <p data-bbox="242 1667 502 1733">Scott® Essential Coreless SRB Tissue</p> <p data-bbox="242 1745 329 1779">04007</p> <div data-bbox="248 1810 482 1887" style="border: 1px solid #ccc; padding: 5px; display: inline-block;">1000 sts./roll</div> <div data-bbox="242 1924 345 1959">✓ ✓ ✓</div> | <div data-bbox="891 1393 1144 1622"></div> <div data-bbox="1257 1373 1371 1453"></div> <p data-bbox="867 1667 1126 1733">Scott® Extra Soft Coreless SRB Tissue</p> <p data-bbox="867 1745 954 1779">07001</p> <div data-bbox="867 1810 1100 1887" style="border: 1px solid #ccc; padding: 5px; display: inline-block;">800 sts./roll</div> <div data-bbox="867 1924 969 1959">✓ ✓</div> <div data-bbox="860 2030 1100 2259"></div> <div data-bbox="1257 2002 1371 2082"></div> <p data-bbox="867 2284 1148 2350">Scott® Pro Small Core SRB Tissue</p> <p data-bbox="867 2361 954 2396">47305</p> <div data-bbox="867 2427 1100 2504" style="border: 1px solid #ccc; padding: 5px; display: inline-block;">1100 sts./roll</div> <div data-bbox="867 2536 969 2570">✓ ✓ ✓</div> | <div data-bbox="1515 1393 1769 1622"></div> <div data-bbox="1672 1373 1786 1482"></div> <p data-bbox="1491 1667 1821 1733">Cottonelle® Paper Core High-Capacity SRB Tissue</p> <p data-bbox="1491 1745 1579 1779">53862</p> <div data-bbox="1491 1810 1725 1887" style="border: 1px solid #ccc; padding: 5px; display: inline-block;">900 sts./roll</div> <div data-bbox="1491 1924 1594 1959">✓ ✓</div> |